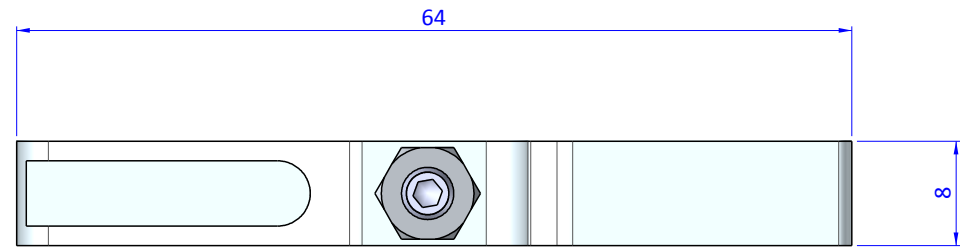
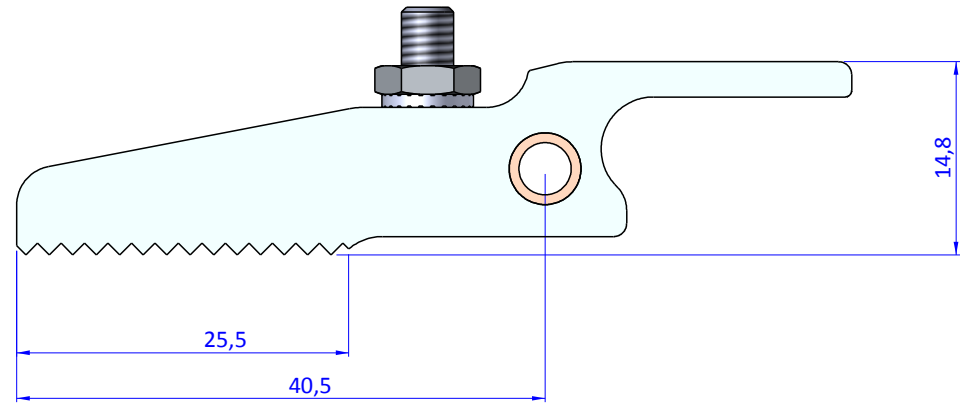
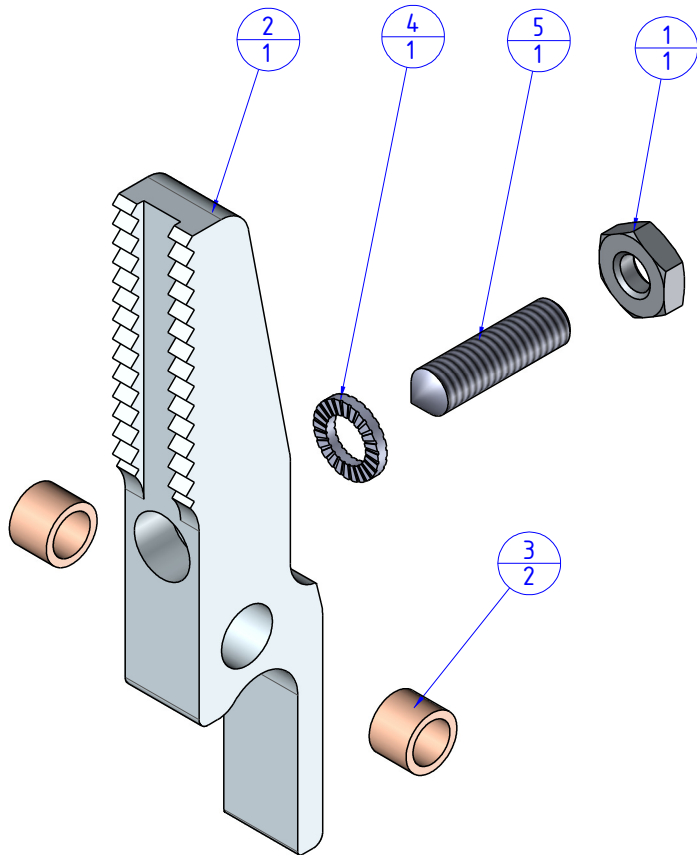


THE PROPERTY OF THE DRAWING IS ESTABLISHED BY LAW. IT IS FORBIDDEN TO PRODUCE OR SHOW IT TO THIRD PARTY, WITHOUT A WRITTEN AGREEMENT.

Item	Name	Q.ty
1	D.4	1
2	GTS.1003.12	1
3	PAP.0405504	2
4	R.4.SCH	1
5	V.STM4X16	1



Format A3  
UNI 936-76

		DESIGNED FROM	REVIEW
		FPS Automation	A
		DATE	WEIGHT
		22/03/2019	0,028kg
GENERAL TOLERANCE	DESCRIPTION	CODE	
UNI - ISO 2768	GTS.03.12	GTS.03.12	
CLASSE f			